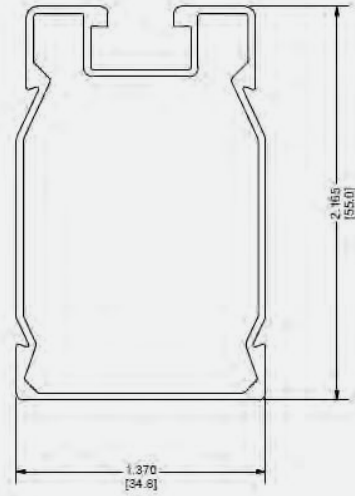


SMR100 Rail



SMR100 Rail



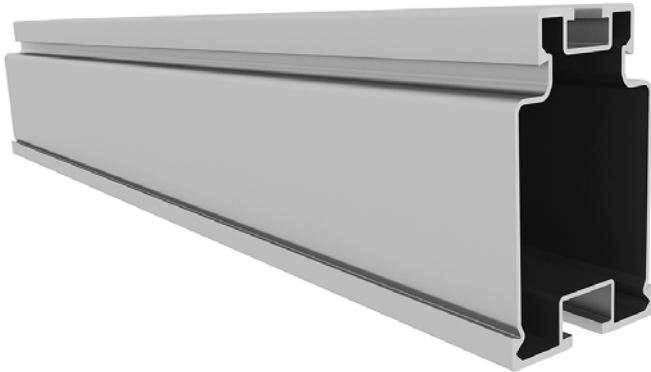
Mechanical Properties

Material: 6005-T5 Aluminum
 Weight: 0.4126 lbs/ft (0.614 kg/m)
 Ultimate Tensile Strength: 37.7 ksi (260 MPa)
 Yield Strength: 34.8 ksi (240 MPa)

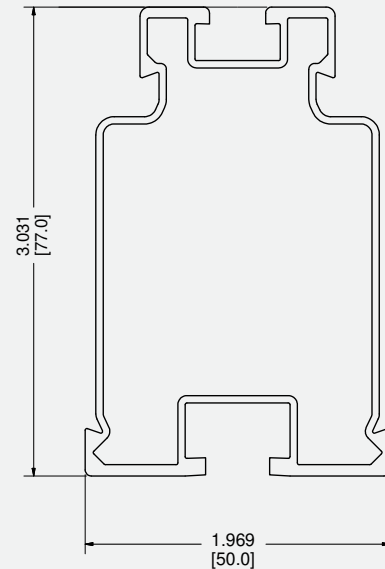
Section Properties

Sx: 0.196 in³ (3.21 cm³)
 Sy: 0.146 in³ (2.39 cm³)
 Area (X-section): 0.352 in² (2.27 cm²)

SMR300 Rail



SMR300 Rail



Mechanical Properties

Material: 6005-T5 Aluminum
 Weight: 0.783 lbs/ft (1.167 kg/m)
 Ultimate Tensile Strength: 37.7 ksi (260 MPa)
 Yield Strength: 34.8 ksi (240 MPa)

Section Properties

Sx: 0.527 in³ (8.64 cm³)
 Sy: 0.303 in³ (4.97 cm³)
 Area (X-section): 0.669 in² (4.32 cm²)

Part Number	Description
SMR100-168-B	SMR100 Rail, 168", Black
SMR100-168-M	SMR100 Rail, 168", Mill Finish
SMR300-174-M	SMR300 Rail, 174", Mill Finish
SMR300-212-M	SMR300 Rail, 212", Mill Finish

Mid Clamp



End Clamp

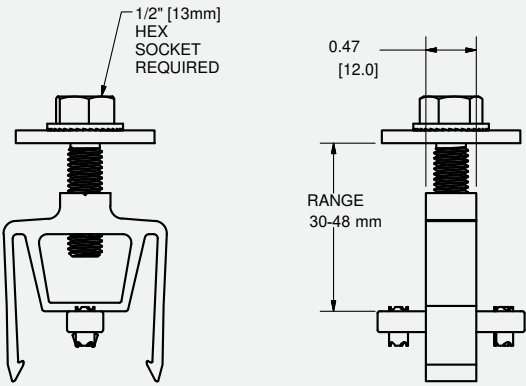


Bottom End Clamp



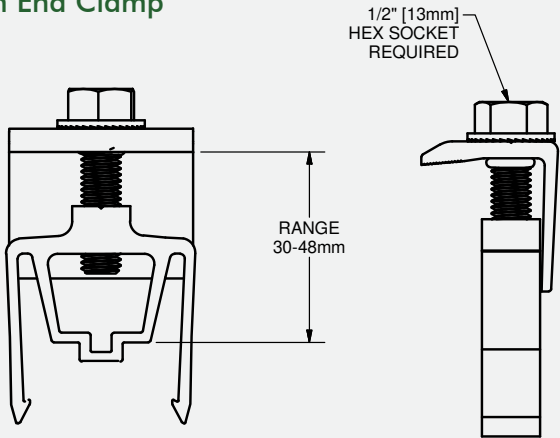
Part Number	Description
CLMP-MID-SMR-S	Mid Clamp, SMR Pop-On, Silver
CLMP-MID-SMR-B	Mid Clamp, SMR Pop-On, Black
CLMP-END-SMR-S	End Clamp, SMR Pop-On, Silver
CLMP-END-SMR-B	End Clamp, SMR Pop-On, Black
CLMP-BOT-SMR300-S	Bottom End Clamp, SMR300, Silver
CLMP-BOT-SMR100-B	Bottom End Clamp, SMR100, Black

Pop-On Bonding Mid Clamp



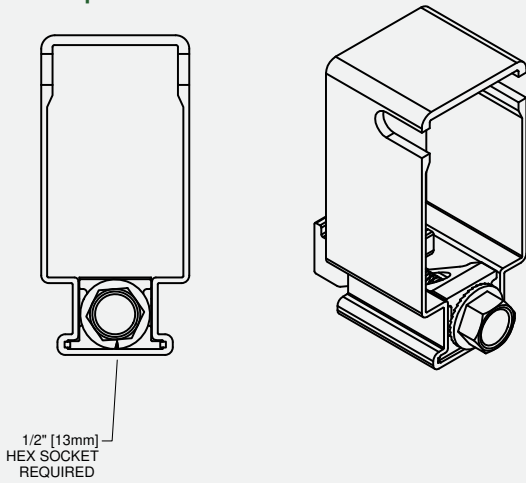
Material: Aluminum and Stainless Steel hardware

Pop-On End Clamp



Materials: Aluminum and Stainless Steel hardware

Bottom End Clamp

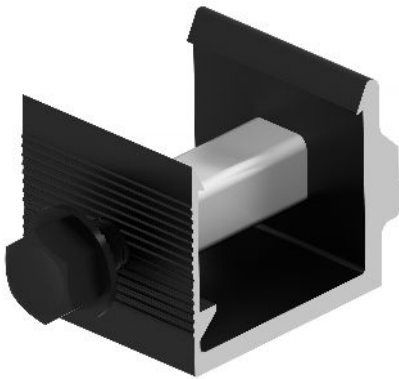


Materials: Aluminum and Stainless Steel hardware

SMR Rail Splices

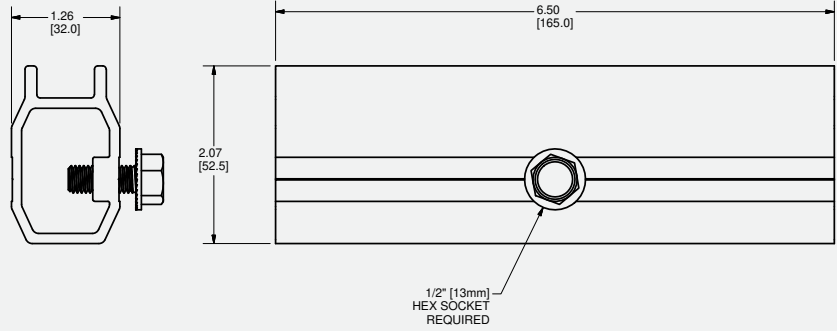


L-Foot Adaptors

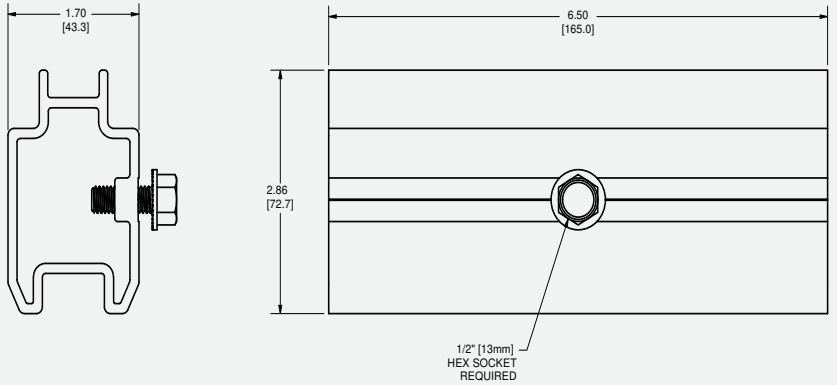


Part Number	Description
SPLC-SMR100	Rail Splice, SMR100
SPLC-SMR300	Rail Splice, SMR300
LFA-SMR100-S	L Foot Adaptor, SMR100, Silver
LFA-SMR100-B	L Foot Adaptor, SMR100, Black
LFA-SMR300-S	L Foot Adaptor, SMR300, Silver

SMR100 Rail Splice

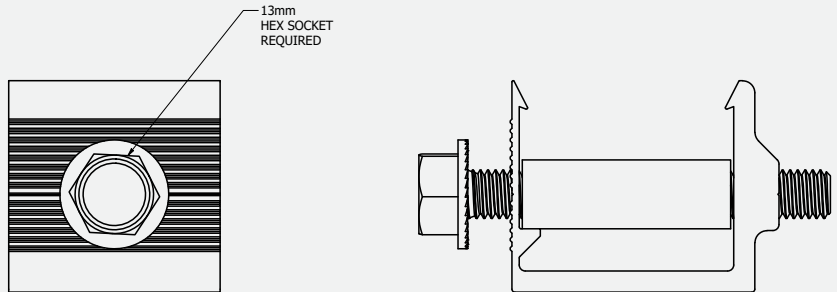


SMR300 Rail Splice



Material: Aluminum and Stainless Steel hardware

SMR100 L-Foot Adaptor

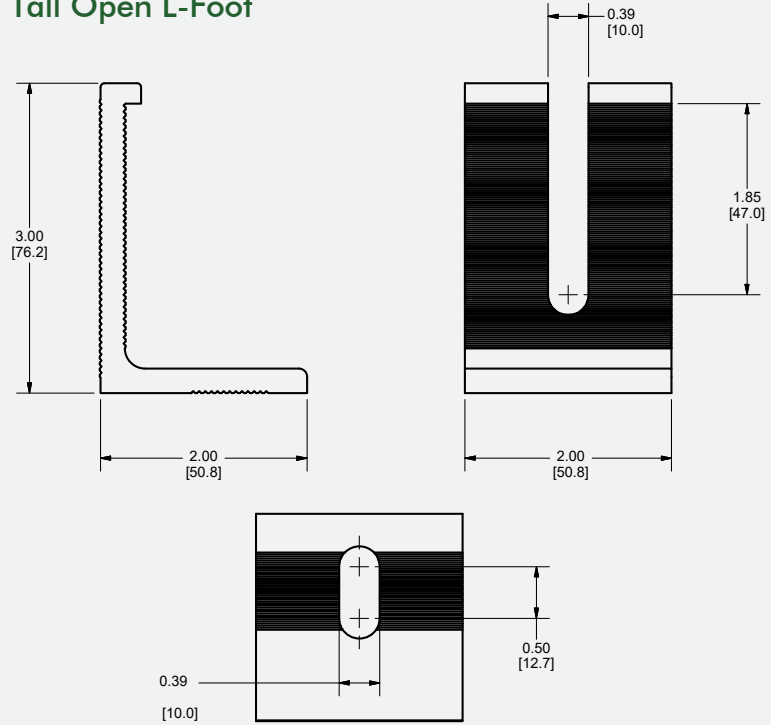


Material: Aluminum and Stainless Steel hardware

3" Tall Open L-Foot



3" Tall Open L-Foot

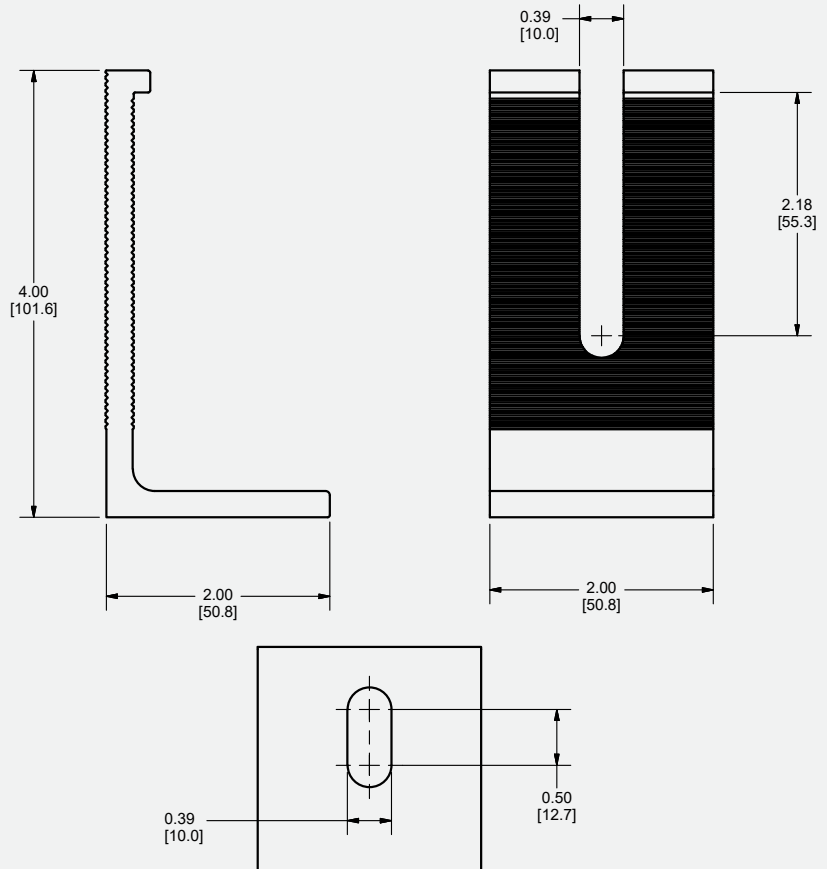


Material: Aluminum

4" Tall Open L-Foot



4" Tall Open L-Foot



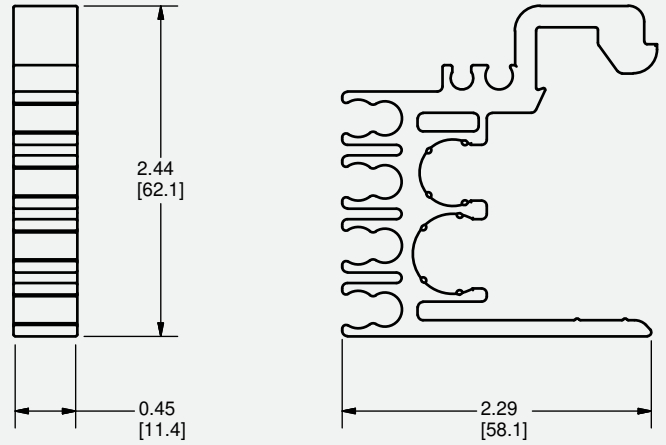
Material: Aluminum

Part Number	Description
LFT-OPEN-3-S	L-Foot, Open, 3", Silver
LFT-OPEN-3-B	L-Foot, Open, 3", Black
LFT-OPEN-4-S	L-Foot, Open, 4", Silver
LFT-OPEN-4-B	L-Foot, Open, 4", Black

Wire Management Clip



SMR100 Wire Management Clip

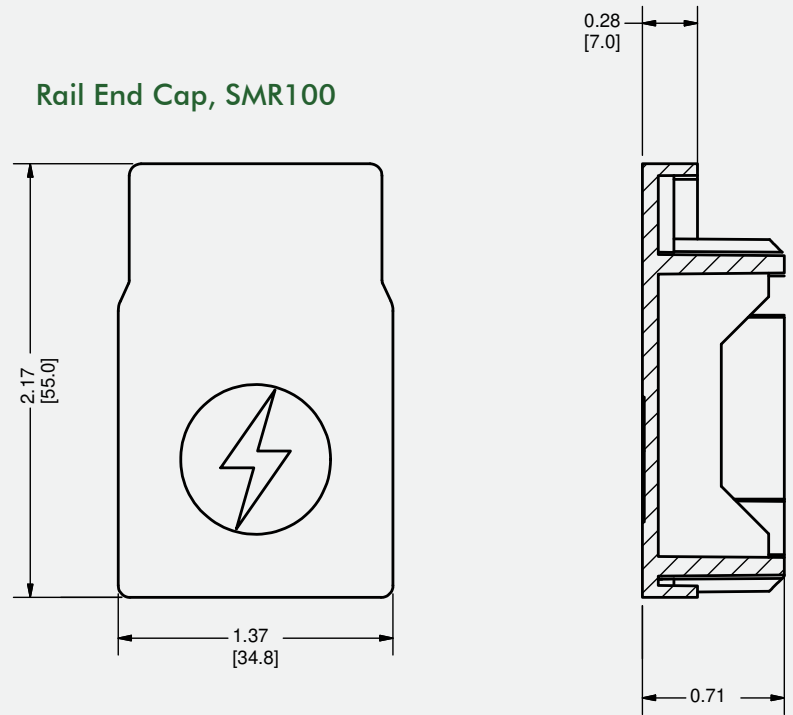


Material: Black Polyamide

Rail End Cap



Rail End Cap, SMR100



Material: EPDM

Part Number	Description
WIRE-SMR100-B	Wire Management Clip, SMR100
CAP-SMR100-B	Rail End Cap, SMR100